



	.....	1
	.....	1
	.....	
1-1	.....	
1-1	.....	
1-	.....	
1-	.....	
1-	.....	
1-	.....	11
1-	.....	1
1-	.....	1
1-	.....	1
1-	.....	1
1-10	.....	1
1-11	.....	
1-1	.....	
1-1	.....	
1-1	.....	
1-1	.....	
1-1	.....	0
1-1	.....	
1-1	.....	
	.....	
	.....	
-1	.....	
-1	.....	
-	.....	0
-	.....	1
-	.....	
-	.....	
-	.....	
-	.....	
-	.....	1
-10	.....	
-11	.....	
-1	.....	
-1	.....	
-1	.....	1
-1	.....	
-1	.....	
-1	.....	
-1	.....	
	.....	0



[ 2014] 55

- 1.
- 2.
- 3.
- 4.

--

--

		1-1	1	1-1	1-1
		-1	1	-1	-1
		-1	1	-1	-1

1

I/O

C

/

Kei I C

2

1

/ /

Kei I C

MCU

/ /

2

6S (

)

/

3

120

4

20		10	0	
				1
				2
		10		3
				4
			5	

10

5

30

ro

1



2

PCB

E

3

1



2

PCB

E

3









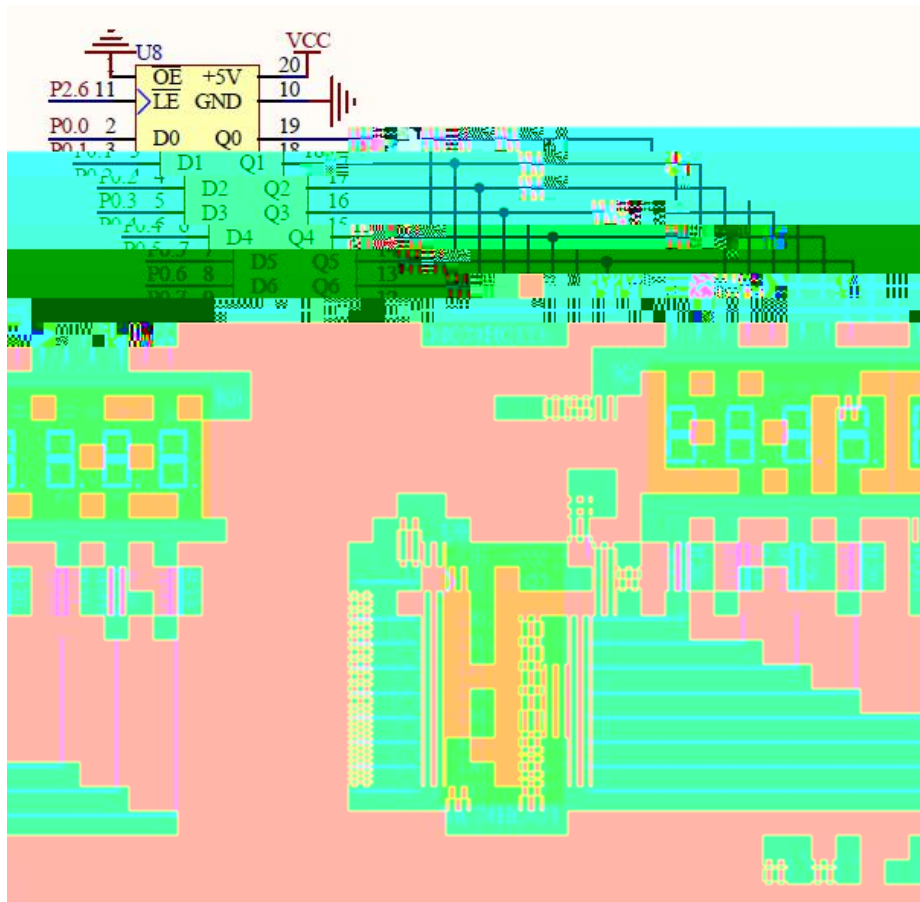








1



2

PCB

E

3









1

K1 8



2

PCB  
E

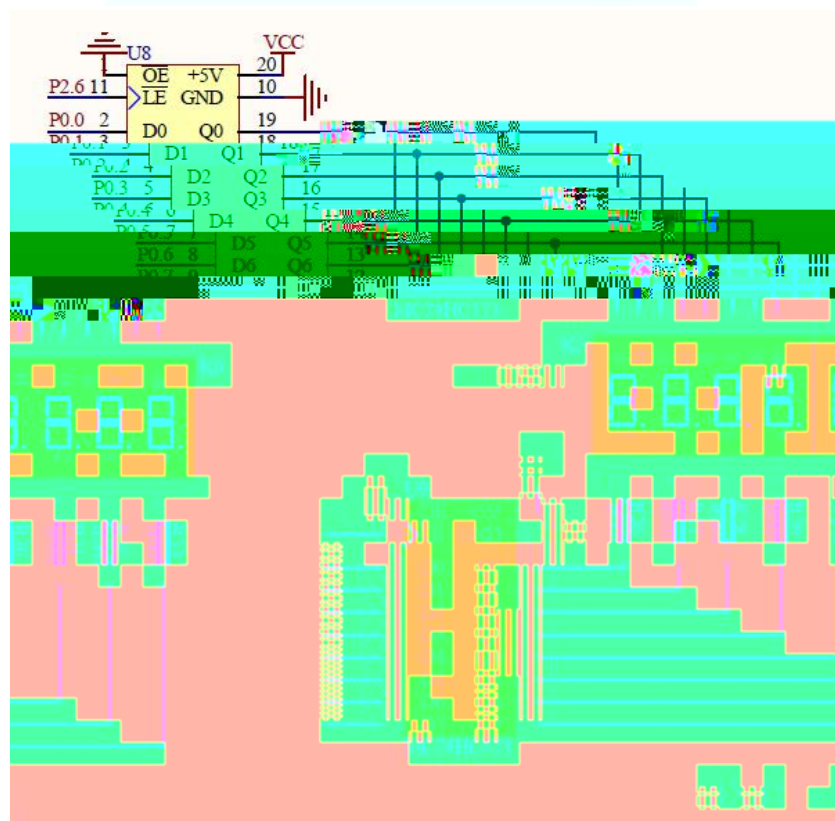
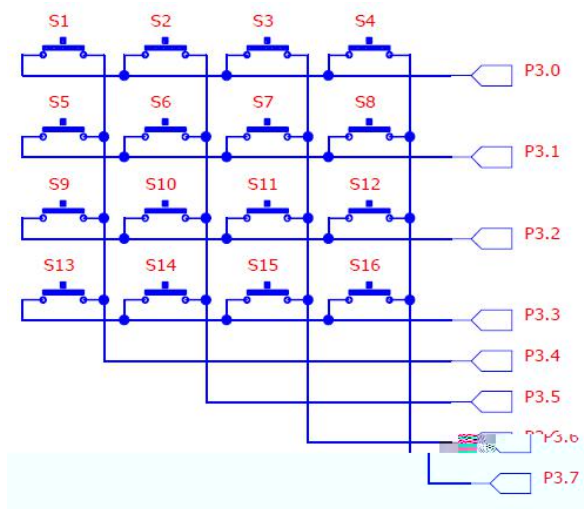
3



1

S1-S16

O-F



2

PCB

E

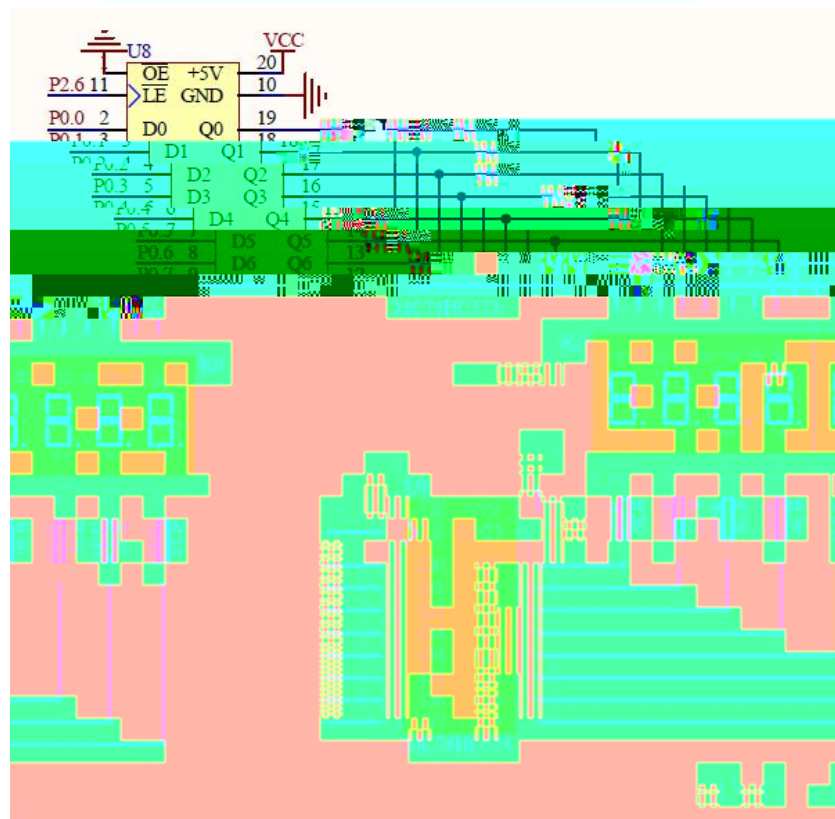
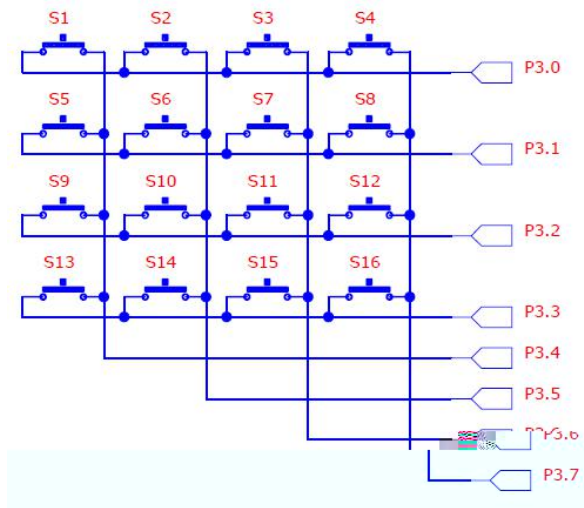
3

1

P3.2

9 0

1





2

PCB

E

3

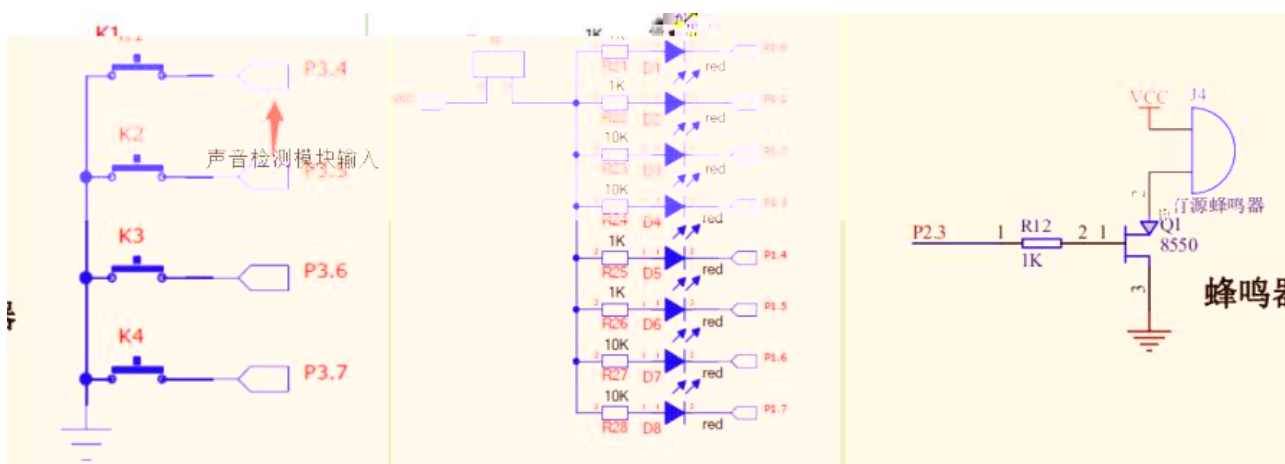
1

P3.4

1

P3.4

D1



1

2

PCB

E

3

1

P3.7

1

P3.7



1

2

PCB  
E

3



1

1

K1

D1

K2

D2



1

2

PCB

E

3

1

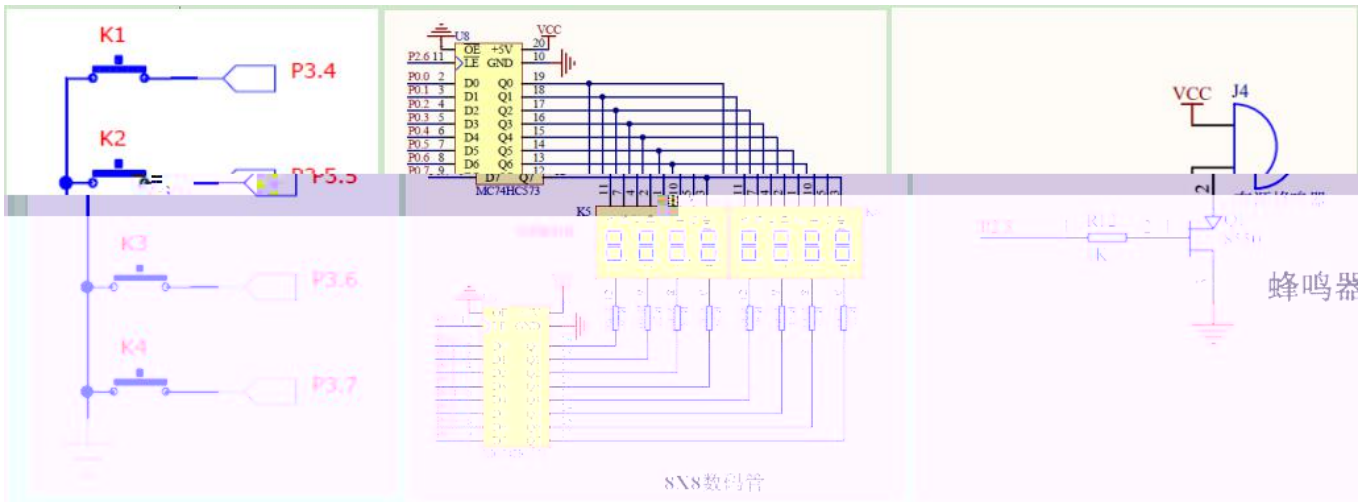
1

K1

K2 K3 K4

K1

" 1 "



2

PCB

E

3



1

2



2

PCB

E

3



1

1

P3.6

P3.6



1

2

PCB

E

3

0



1

0.5S 0.5S



2

PCB  
E

3



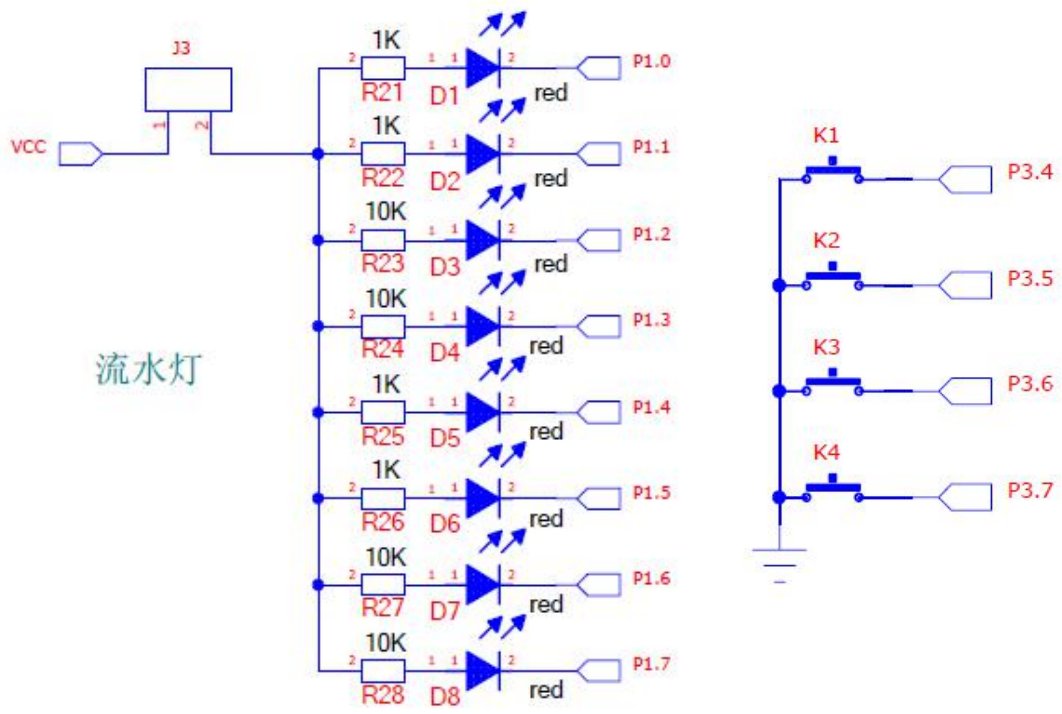
1

K1

D1-D4

K2

D5-D8



2

PCB

E

3



1

/ /

1

/ /

/ /

( )

/

1 0

20		10			0
			1		
		10	2		
			3		

			4	
			5	
30		10		
		5		
		5		
		10		
50		5		
		5	1 2	PCB
		10		
		15	1 2 3	
		15		

5

18



1



2

3



1



2

3

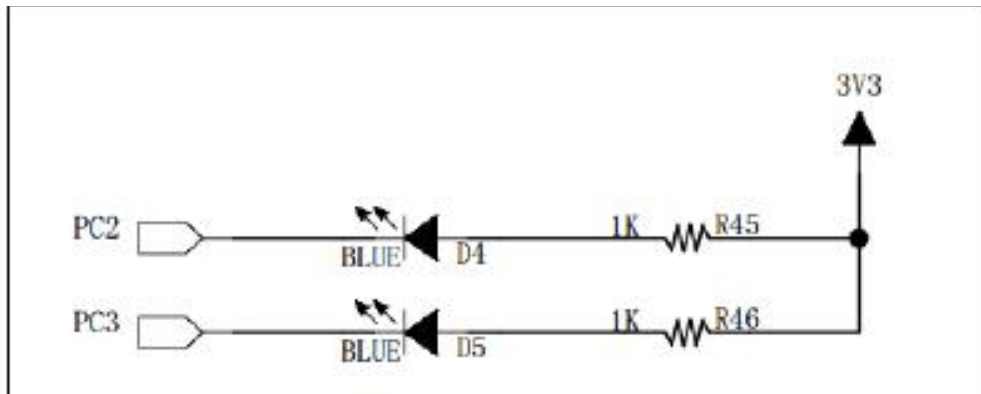
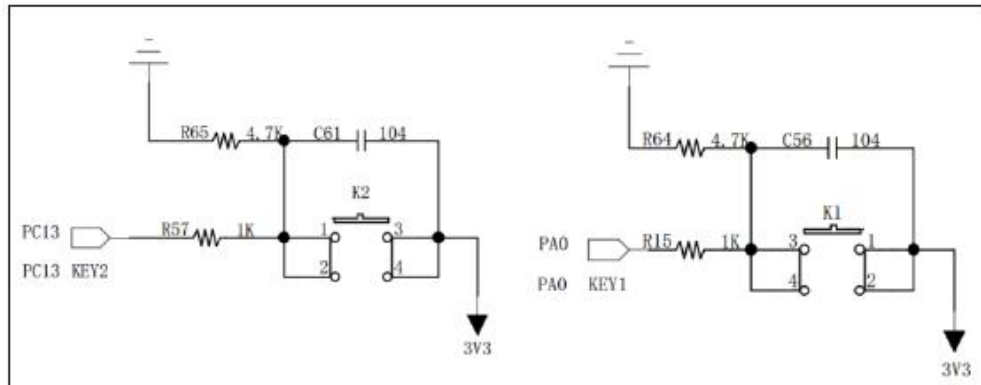
1



2

3

1



2

3



1



2



3





1

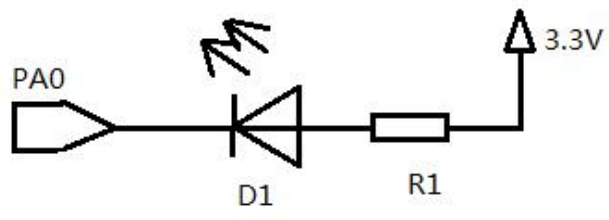
1	VBAT	VDD	64
2	PC13/ANT1	VSS	63
3	PC14/OSC32	PB9/TIM4_CH4/SDIO_D5	62
4	PC15/OSC32	PB8/TIM4_CH3/SDIO_D4	61
5	PD0/OSCIN		60
6	PD1/OSCCAT		59
7	NC		58
8	PC2/NC18		57
9	PC3/NC19		56
10	PC4/NC20		55
11	PC5/NC21		54
12	PC6/NC22		53
13	PC7/NC23		52
14	PC8/NC24		51
15	PC9/NC25		50
16	PC10/NC26		49
17	PC11/NC27		48
18	PC12/NC28		47
19	PC13/NC29		46
20	PC14/NC30		45
21	PC15/NC31		44
22	PC16/NC32		43
23	PC17/NC33		42
24	PC18/NC34		41
25	PC19/NC35		40
26	PC20/NC36		39
27	PC21/NC37		38
28	PC22/NC38		37
29	PC23/NC39		36
30	PC24/NC40		35
31	PC25/NC41		34
32	PC26/NC42		33
33	PC27/NC43		32
34	PC28/NC44		31
35	PC29/NC45		30
36	PC30/NC46		29
37	PC31/NC47		28
38	PC32/NC48		27
39	PC33/NC49		26
40	PC34/NC50		25
41	PC35/NC51		24
42	PC36/NC52		23
43	PC37/NC53		22
44	PC38/NC54		21
45	PC39/NC55		20
46	PC40/NC56		19
47	PC41/NC57		18
48	PC42/NC58		17
49	PC43/NC59		16
50	PC44/NC60		15
51	PC45/NC61		14
52	PC46/NC62		13
53	PC47/NC63		12
54	PC48/NC64		11
55	PC49/NC65		10
56	PC50/NC66		9
57	PC51/NC67		8
58	PC52/NC68		7
59	PC53/NC69		6
60	PC54/NC70		5
61	PC55/NC71		4
62	PC56/NC72		3
63	PC57/NC73		2
64	PC58/NC74		1

2

3



1



2

3

1

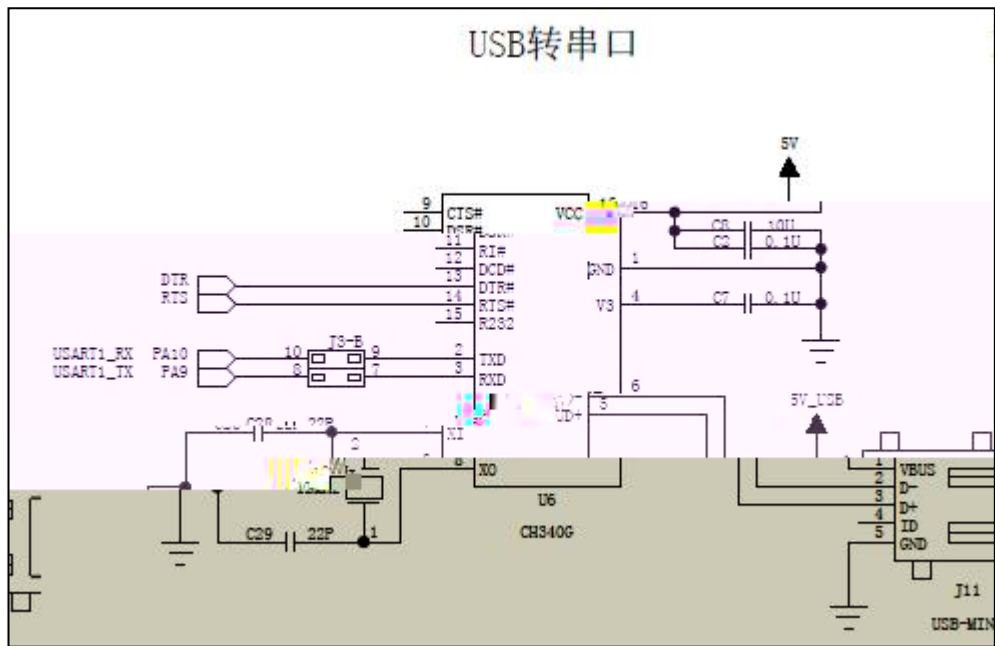
1	VBAT	VDD	64
2	PC13/ANT1	VSS	63
3	PC14/OSC32	PB9/TIM4_CH4/SDIO_D5	62
4	PC15/OSC32	PB8/TIM4_CH3/SDIO_D4	61
5	PD0/OSCIN	W	60
6	PD1/OSCOLT	RR7/PC1	59
7	NRST	NRST	58
8	PA0/NC	PA0/NC	57
9	PC1/OSC12	PC1/OSC12	56
10	PA4/AD012	PA4/AD012	55
11	PC9/OSC12	PC9/OSC12	54
12	VDDA	VDDA	53
13	VDDM	VDDM	52
14	PA5/AD011	PA5/AD011	51
15	PA6/AD010	PA6/AD010	50
16	PA7/AD009	PA7/AD009	49
17	PA8/AD008	PA8/AD008	48
18	PA9/AD007	PA9/AD007	47
19	PA10/AD006	PA10/AD006	46
20	PA11/AD005	PA11/AD005	45
21	PA12/AD004	PA12/AD004	44
22	PA13/AD003	PA13/AD003	43
23	PA14/AD002	PA14/AD002	42
24	PA15/AD001	PA15/AD001	41
25	PC2/OSC12	PC2/OSC12	40
26	PC3/OSC12	PC3/OSC12	39
27	PC4/OSC12	PC4/OSC12	38
28	PC5/OSC12	PC5/OSC12	37
29	PC6/OSC12	PC6/OSC12	36
30	PC7/OSC12	PC7/OSC12	35
31	PC8/OSC12	PC8/OSC12	34
32	PC9/OSC12	PC9/OSC12	33
33	PC10/OSC12	PC10/OSC12	32
34	PC11/OSC12	PC11/OSC12	31
35	PC12/OSC12	PC12/OSC12	30
36	PC13/ANT1	PC13/ANT1	29
37	PC14/OSC32	PC14/OSC32	28
38	PC15/OSC32	PC15/OSC32	27
39	PD0/OSCIN	PD0/OSCIN	26
40	PD1/OSCOLT	PD1/OSCOLT	25
41	PD2/OSCIN	PD2/OSCIN	24
42	PD3/OSCOLT	PD3/OSCOLT	23
43	PD4/OSCIN	PD4/OSCIN	22
44	PD5/OSCOLT	PD5/OSCOLT	21
45	PD6/OSCIN	PD6/OSCIN	20
46	PD7/OSCOLT	PD7/OSCOLT	19
47	PD8/OSCIN	PD8/OSCIN	18
48	PD9/OSCOLT	PD9/OSCOLT	17
49	PD10/OSCIN	PD10/OSCIN	16
50	PD11/OSCOLT	PD11/OSCOLT	15
51	PD12/OSCIN	PD12/OSCIN	14
52	PD13/OSCOLT	PD13/OSCOLT	13
53	PD14/OSCIN	PD14/OSCIN	12
54	PD15/OSCOLT	PD15/OSCOLT	11
55	PD16/OSCIN	PD16/OSCIN	10
56	PD17/OSCOLT	PD17/OSCOLT	9
57	PD18/OSCIN	PD18/OSCIN	8
58	PD19/OSCOLT	PD19/OSCOLT	7
59	PD20/OSCIN	PD20/OSCIN	6
60	PD21/OSCOLT	PD21/OSCOLT	5
61	PD22/OSCIN	PD22/OSCIN	4
62	PD23/OSCOLT	PD23/OSCOLT	3
63	PD24/OSCIN	PD24/OSCIN	2
64	PD25/OSCOLT	PD25/OSCOLT	1

2

3



1

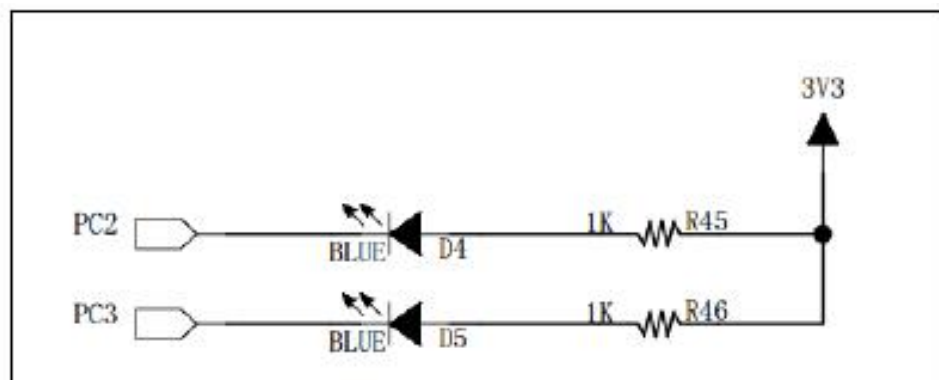
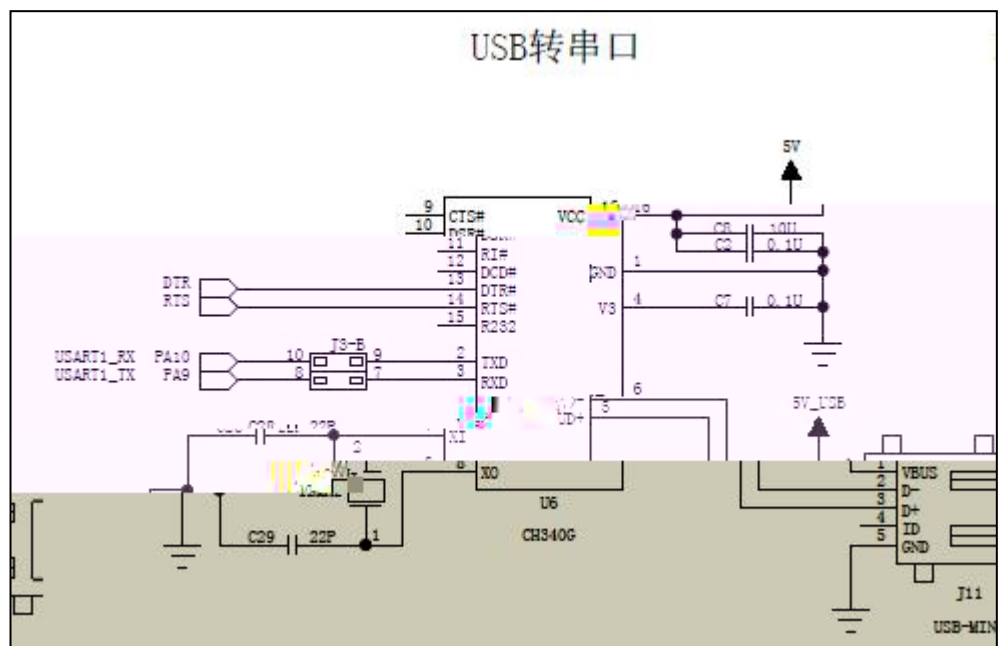


2

3

-

1



2



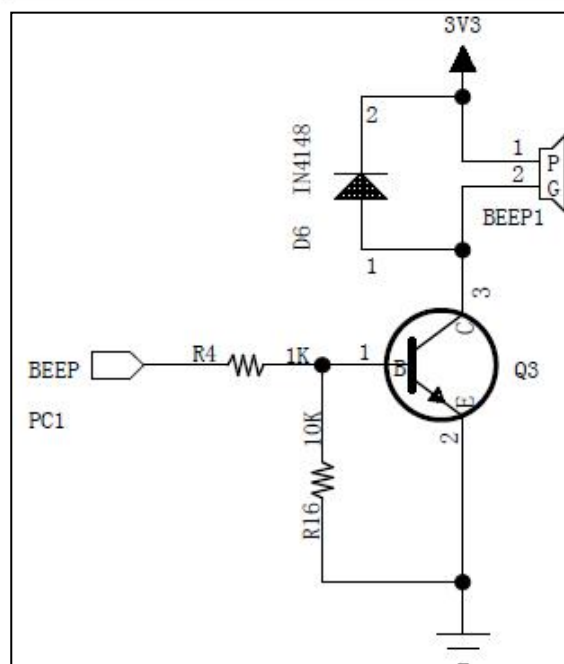
3

-

1 **b**

2



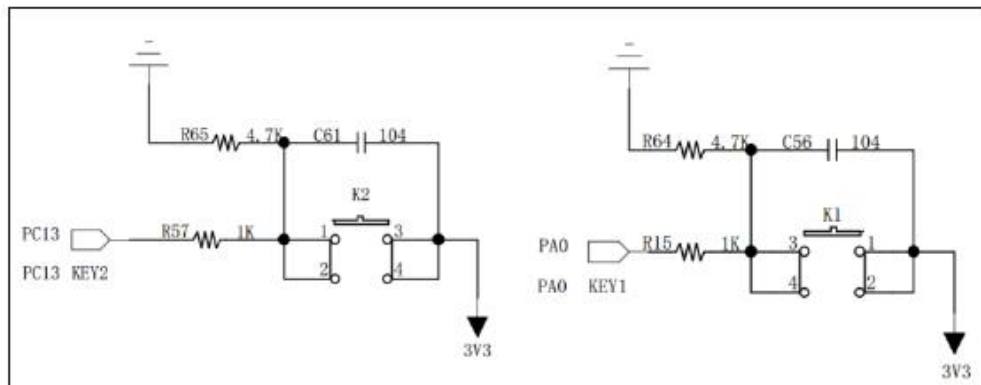
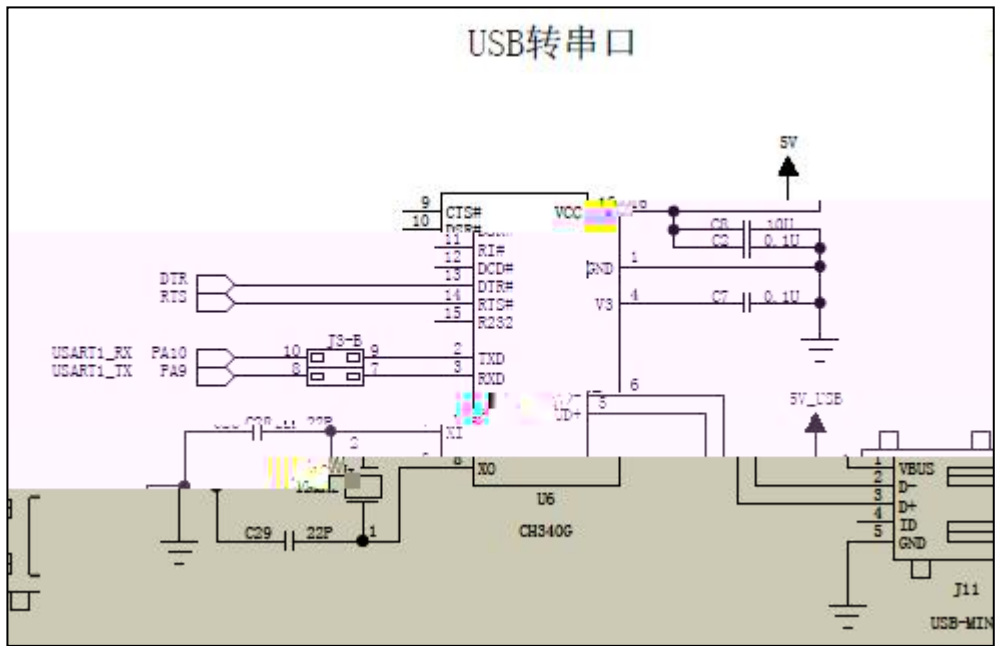


2

3

-

1

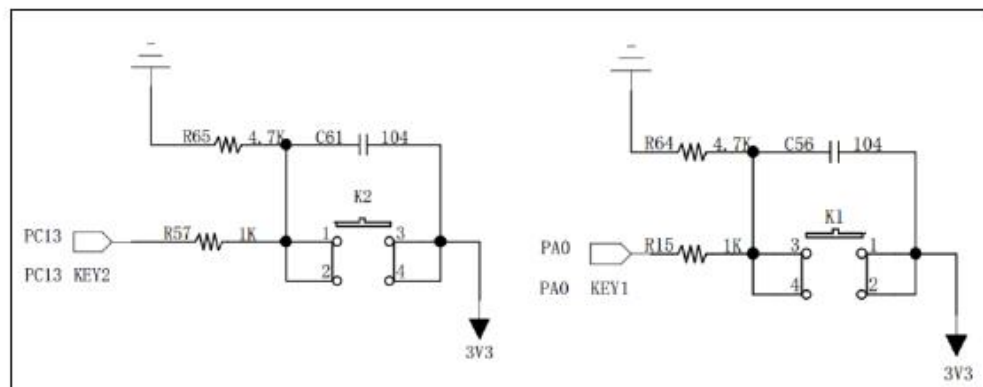
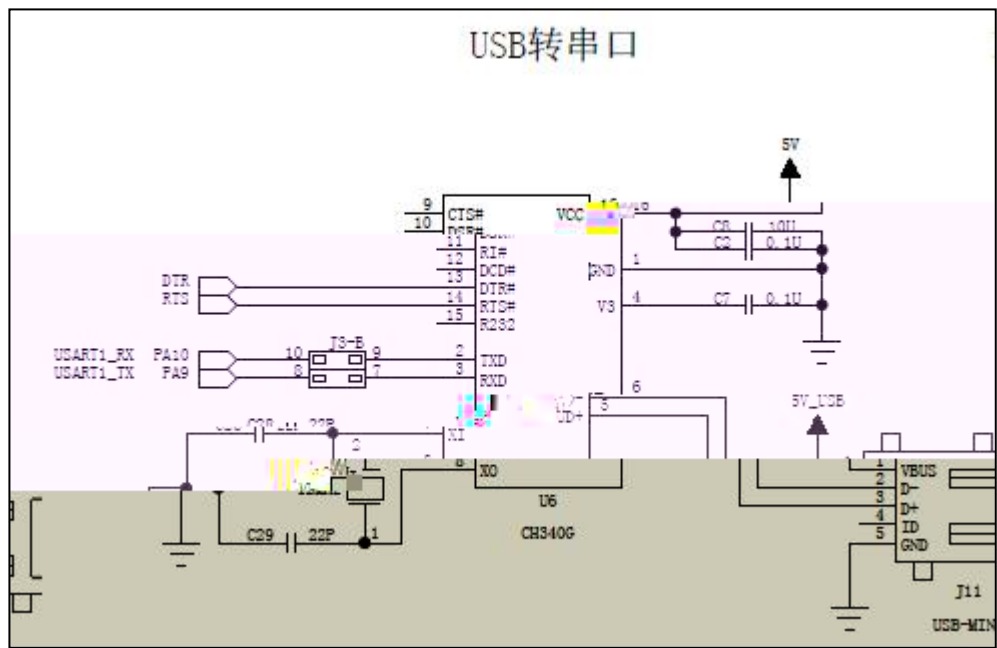


2

3

-

1



2



3

-



2

3

-

1



2

3

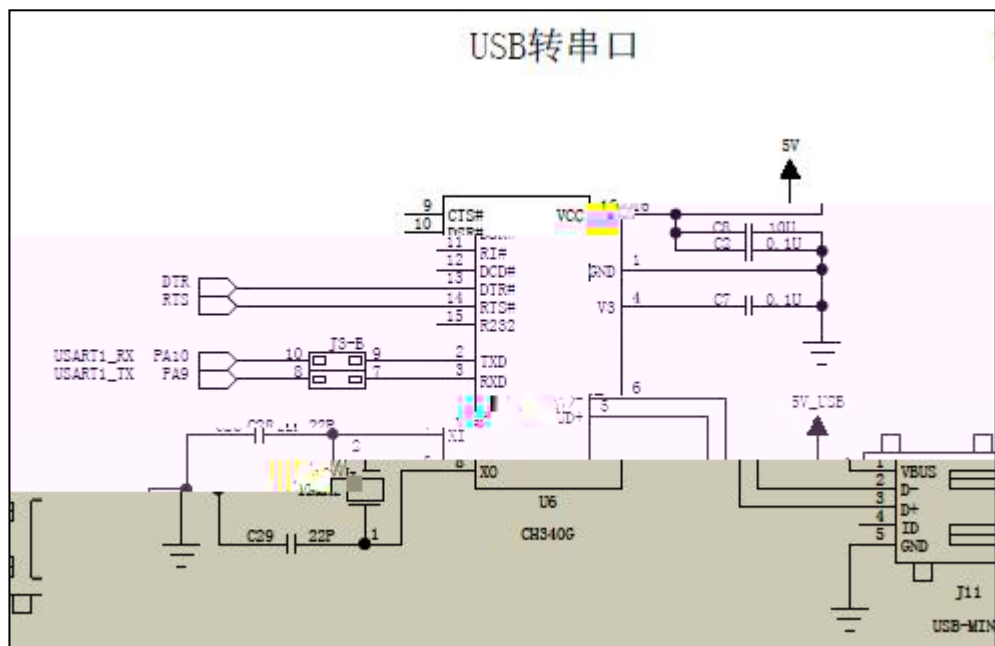


2

3

-

1



2

3

-



1

1

/ /

.

.0

/ /

( )

/

1 0

20		10			0	
			6			
			7			
		10	8			
			9			

			10	
30				
		10		
		10		
50				
		10		

5

18

1

2

20sp

RGB

#FF0000

欢迎光临



3

:

2  
1



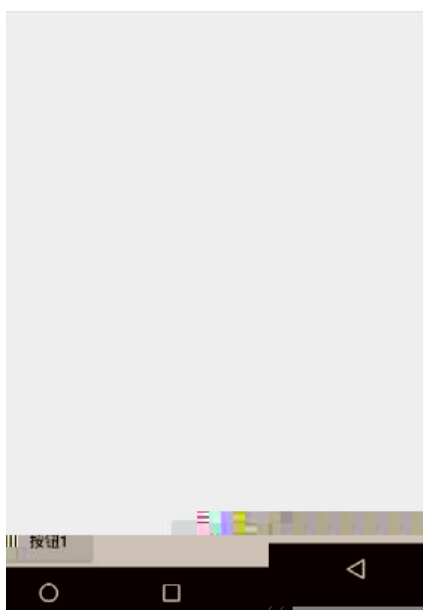
3 :

1

2

1

2



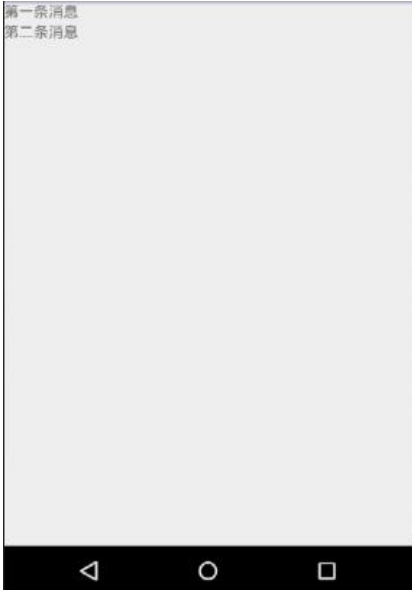
3

:

TextView

2

1



3

1

2



3

2

1

2



3



1

1 1 1 1

2

1

2

1 1 1 1



3

1

2

1



3

1

2

1

2



3

1

2

1

2

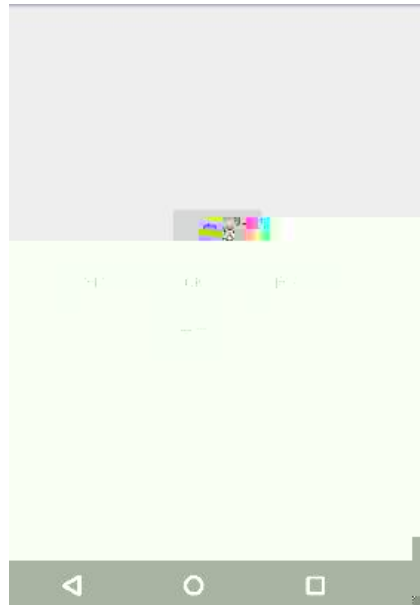


3

1

2

1



3

1

LED

2

1

2

3

TextView LED



3

1

LED

2

1

2

3

TextView LED



3

1

LED

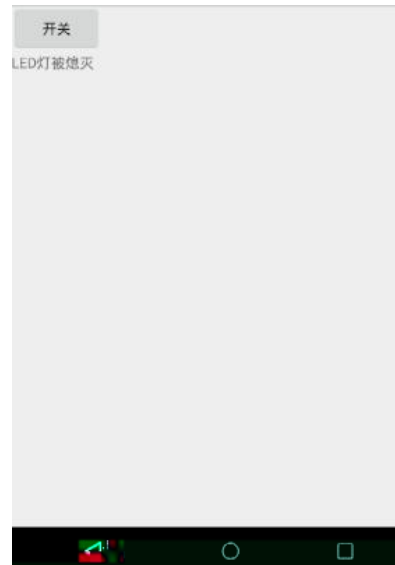
2

1

2

3

TextView LED



3



1

LED

2

1

2

3

4

TextVi ew



3

1

LED

2

1

2

3

4

ImageView

30dp\*30dp



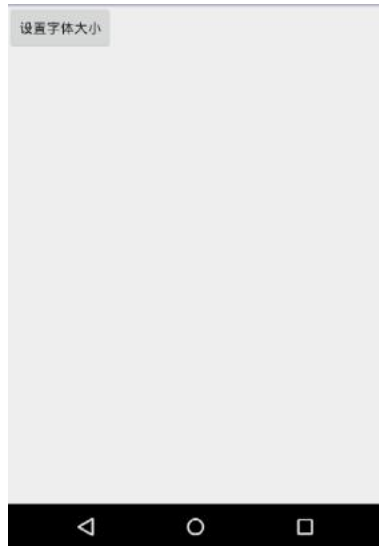
3

1

2

1

2



3

1

2

1

2



3